


# SHORT ARM SOFT-DOWN STAY GS-SDS-100-TV, GS-SDS-C100-TV



Opening Direction	Item Name	Description	Non-handed	Maximum Door Moment
 Downward-opening	GS-SDS-100W(B)-TV	-	Yes	0.49~1.18 N · m/pc (5~12 kgf · cm/pc)
	GS-SDS-100W(B)-TVZ			1.62~3.68 N · m/pc (16.5~37.6 kgf · cm/pc)
	GS-SDS-C100W(B)-TV	With Catch		0.49~1.18 N · m/pc (5~12 kgf · cm/pc)
	GS-SDS-C100W(B)-TVZ			1.62~3.68 N · m/pc (16.5~37.6 kgf · cm/pc)

- For downward-opening doors.
- Non-handed: Can be installed either on left or right side.
- GS-SDS-C100-TV (with catch) is designed to hold the door in fully closed position. Catch is necessary when using GS-SDS-100-TV (without catch).
- 3-way adjustable drop hinge GS-SDH-001 is suitable.

### [Specifications]

- Operating temperature: 0°C~40°C

### [Remarks]

- Be sure to read the "Cautions"
- When placing objects or working on the surface of opened door, install a brace or reinforcement material to support the door in addition to the stay.

### [Parts Included]

- Mounting plate GS-SDS-A
- Countersunk head tapping screw 3.5x 14

### [Sold Separately]

- GS-SDS face plate and spacer for glass door

### Video Link



### Selection Tool

Sasuga-kun

Applicable Products

Used for Product Selection & Simulation.

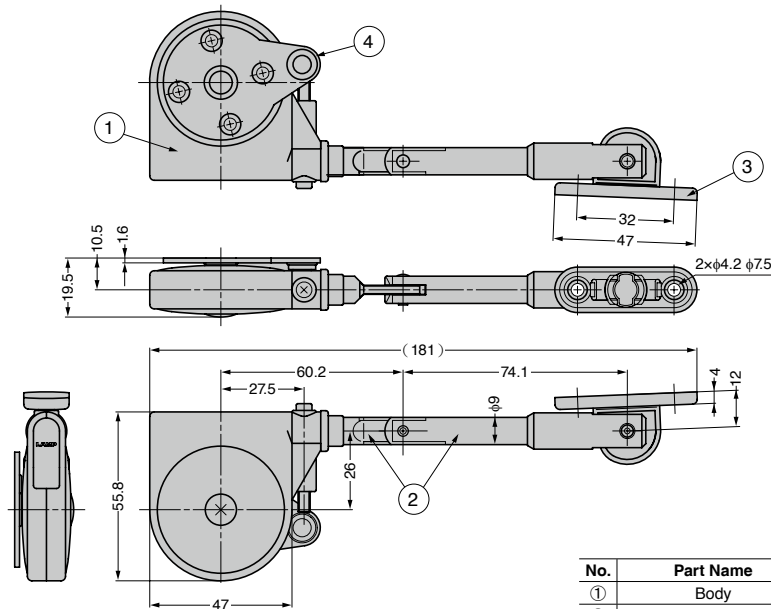
Available on Web!

### [Applicable Range]

- Choose from 2 types according to maximum door moment.
- Maximum door moment (N · m) = Door weight (kg) × 9.80665 × Distance from rotation centre to door centre of gravity (m)

Maximum door moment N · m	Item Name Suffix	Qty
0.49~1.18	TV	1 pc
1.62~3.68	TVZ	

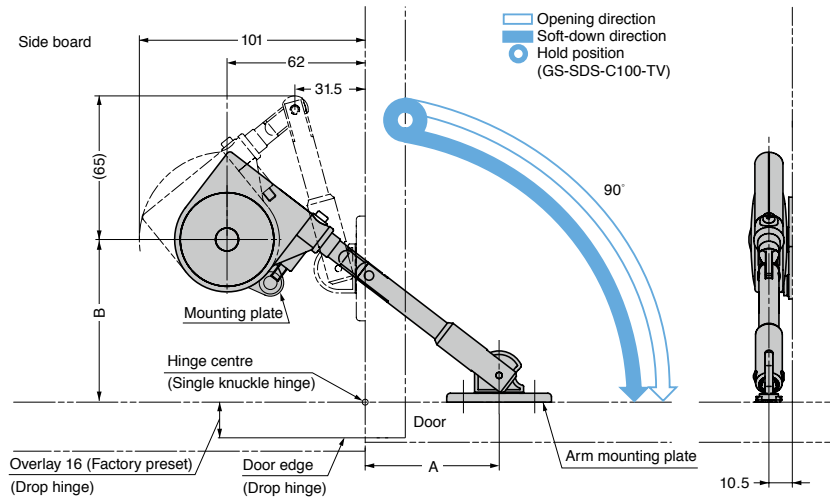
- With 2 stays, the maximum door moment will be doubled.



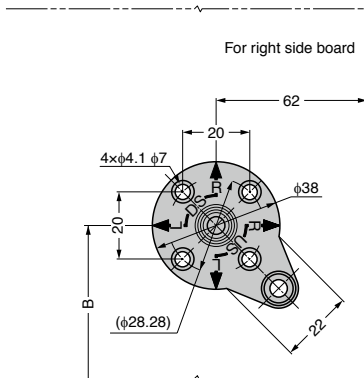
No.	Part Name	Material	Finish/Colour
①	Body	ABS	White, Black
②	Arm	Steel (SPCC)	Nickel
③	Arm Mounting Plate		
④	Mounting plate		

**[Installation] Right side installation for downward-opening 90° .**

Comes down slowly and softly in opening direction. Installation with piano/butt hinge or drop hinge shown below.



**[Installation for Mounting Plate]**



For right side board, install with the "→" mark of R at DS side directly upwards.  
For left side board, install with the "→" mark of L at DS side directly upwards.

Hinge Type	A	B
Single Knuckle Hinge	60	73
Drop Hinge (GS-SDH-001)	65※ <sub>1</sub>	62
Drop Hinge (GS-SDH-P)	66※ <sub>2</sub>	60

● ※<sub>1</sub> In case of overlay 16 mm (factory preset).

● ※<sub>2</sub> In case of overlay 19mm (factory preset).

※ Install according to the dimensions in the above figure and table after making door overlay, clearance and horizontal adjustment.

**[Body]**

Item Name	Type	Colour	Maximum Door Moment N·m/pc	Maximum Door Moment kgf·cm/pc	Weight (g)
GS-SDS-100W-TV	Without Catch	White	0.49~1.18	5~12	144
GS-SDS-100B-TV		Black			144
GS-SDS-C100W-TV	With Catch	White	1.62~3.68	16.5~37.6	154
GS-SDS-C100B-TV		Black			152
GS-SDS-100W-TVZ	Without Catch	White	1.62~3.68	16.5~37.6	147
GS-SDS-100B-TVZ		Black			147
GS-SDS-C100W-TVZ	With Catch	White	1.62~3.68	16.5~37.6	154
GS-SDS-C100B-TVZ		Black			158

**[GS-SDS Face Plate and Spacer for Glass Door] Sold Separately**

Item Name	Material	Finish/Colour	Weight (g)
GS-SDS-50G-CR	Zinc Alloy (ZDC)/ABS	Chrome/Black	25
GS-SDS-50G-BL	Zinc Alloy (ZDC)/ABS	Black Enamel Finish/Black	25